



INSTALLATION AND OPERATING INSTRUCTIONS

Clamping plate

SPN

DDOC01239

THE KNOW-HOW FACTORY

Content

1	Supporting documents	3
1.1	Notices and graphics in the installation and operating instructions	3
2	Safety notices	4
3	Proper use	6
4	Personnel qualification	7
4.1	Electricians	7
4.2	Specialists	7
4.3	Instructed personnel.....	7
4.4	Service personnel.....	7
4.5	Additional qualifications	7
5	Product description	7
5.1	Product design.....	8
5.2	Product variants	9
5.2.1	Standard clamping plate.....	9
5.2.2	Advanced clamping plate	9
5.3	Type plate	9
6	Functional description	10
6.1	Function of the connections	10
6.1.1	Open	10
6.1.2	PLUS connection	10
6.1.3	Blow-out/clean	11
6.1.4	Positioning check	11
6.1.5	Piston position sensing	13
7	Technical data	15
8	Accessories/scope of delivery	15
9	Transportation/storage/preservation	15
10	Installation	16
10.1	Installing the product.....	17
10.2	Overview of clamping pins.....	17
10.3	Installing clamping pins.....	18
10.3.1	Positioning the sword pins.....	22
10.3.2	Arranging the clamping pins	22
10.3.3	Note the minimum diameter of the zero-point clamping system	23
10.3.4	Tightening torques.....	23
10.4	Installing the energy supply	23
11	Commissioning	24
11.1	Checking operational readiness.....	24
12	Operation.....	24
13	Maintenance.....	24
14	Error diagnosis	26
15	Decommissioning/disposal	26
16	REACH declaration.....	27
17	Declaration of Conformity	28

1 Supporting documents

NOTICE



Read through the installation and operating instructions before installing or working with the product.

The installation and operating instructions contain important notes for your personal safety. They must be read and understood by all persons who work with or handle the product during any phase of the product lifetime.



The documents listed below are available for download on our website www.zimmer-group.com.

- Installation and operating instructions
 - Catalogs, drawings, CAD data, performance data
 - Information on accessories
 - Technical data sheets
 - General Terms and Conditions, including warranty information.
- ⇒ Only those documents currently available on the website are valid.

In these installation and operating instructions, "product" refers to the product designation on the title page!

1.1 Notices and graphics in the installation and operating instructions

DANGER



This notice warns of an imminent danger to the life and health of people. Ignoring these notices can lead to serious injury or even death.

- ▶ You absolutely must comply with the described measures for avoiding these dangers!
- ⇒ The warning symbols are assigned according to the type of danger.

WARNING



This notice warns of a situation that is potentially hazardous to personal health. Ignoring these notices can cause serious injury or damage to health.

- ▶ You absolutely must comply with the described measures for avoiding these dangers!
- ⇒ The warning symbols are assigned according to the type of danger.

CAUTION



This notice warns of a situation that is potentially hazardous to persons. Ignoring these notices can cause minor, reversible injuries.

- ▶ You absolutely must comply with the described measures for avoiding these dangers!
- ⇒ The warning symbols are assigned according to the type of danger.

NOTICE



This notice warns of possible material and environmental damage. Ignoring these notices can result in damage to the product or the environment.

- ▶ You absolutely must comply with the described measures for avoiding these dangers!
- ⇒ The warning symbols are assigned according to the type of danger.

INFORMATION



This category contains useful tips for handling the product efficiently. Failure to observe these tips will not result in damage to the product. This information does not include any information relevant to health or workplace safety.

2 Safety notices

WARNING



Risk of injury due to uncontrolled movements

Risk of injury in case of unexpected movement of the machine or system into which the product is to be installed.

- ▶ Switch off the energy supply of the machine before any work.
- ▶ Secure the power supply against being switched on unintentionally.
- ▶ Check the machine for any residual energy that may be present.

WARNING



Risk of injury due to uncontrolled movements

There is a risk that parts will continue to move after a failure or after the power supply has been switched off (e.g., emergency stop) due to residual energy.

- ▶ Do not reach into the operational range of the product.
- ▶ Do not reach between the clamping surfaces.
- ▶ Wait for the system to come to a complete standstill.

WARNING



Risk of injury and material damage if loaded improperly

If the clamping pins are forcibly inserted into a clamped product, the product may be damaged.

If the clamping pins are placed on a clamped product, the falling movement of the workpiece or pallet can cause crushing when the product is opened.

- ▶ Do not reach between the contact surfaces.
- ▶ Only insert the clamping pins into an open product.

WARNING



Risk of injury due to objects being ejected

Certain components are under constant spring tension. When removing certain components, springs can spring out uncontrollably and cause serious injuries.

- ▶ Do not loosen the screws on the cover of the zero-point clamping system.
- ▶ Do not remove the cover.

CAUTION**Risk of injury and material damage in case of non-compliance**

Installation, commissioning, maintenance and repairs may only be performed by qualified specialists in accordance with these installation and operating instructions.

The product is state-of-the-art.

The following are examples of situations in which the product may cause a hazard:

- The product is not properly installed, used or maintained.
- The product is not used for its designated purpose.
- The locally applicable regulations, laws, directives or guidelines are not observed.
- ▶ The product may only be used in accordance with these installation and operating instructions and the product's technical data. Any changes or additions to the intended use of the product, as well as modifications to the product, such as those in the following examples, require the written permission of the manufacturer:
 - Use of the product under extreme conditions, such as aggressive fluids or abrasive dusts
 - Additional drilled holes or threads
- ⇒ Zimmer GmbH shall accept no liability for any damage caused by improper use. The operator bears sole responsibility.
- ▶ Make sure that the power supply is disconnected before you mount, adjust, modify, maintain or repair the product.
- ▶ Whenever work is carried out on the product, make sure that the product cannot be actuated by mistake.
- ▶ Perform maintenance tasks, renovation work or attachment work outside of the machine's danger zone when possible.
- ▶ Do not reach into the operational range of the product.
- ▶ Observe the specified maintenance intervals and specifications regarding the quality of the operating material.
- ▶ When using the product under extreme conditions, adjust the maintenance interval according to the degree of contamination.
- ▶ Check the tightening torques of all mounting screws.
- ▶ Note that, due to the spring tension, you should exercise increased caution when uninstalling products with integrated springs.

3 Proper use

NOTICE



Material damage and malfunction in case of non-compliance

The product is only to be used in its original state with its original accessories, with no unauthorized changes and within the stipulated parameter limits and operating conditions.

Any other or secondary use is deemed improper.

- ▶ Operate the product only in compliance with the associated installation and operating instructions.
- ▶ Operate the product only when it is in a technical condition that corresponds to the guaranteed parameters and operating conditions.
- ⇒ Zimmer GmbH shall accept no liability for any damage caused by improper use. The operator bears sole responsibility.

- The product is used exclusively for positioning and clamping workpieces, clamping pallets or other clamping devices on tooling machines or other suitable technical equipment.
- The product is designed exclusively for pneumatic operation.
- The product is designed for use in commercial or industrial applications.

INFORMATION



The permitted position deviation of center axes is \varnothing 0.03 mm for the simultaneous use of multiple products and clamping pins.

Improper use occurs when the product is used in rotary applications without consulting Zimmer GmbH and the following parameters are exceeded:

- Speed: 1,500 rpm
- Peripheral speed, relative to the center axis of the product: 35 m/s

4 Personnel qualification

WARNING



Injuries and material damage due to inadequate qualification

If inadequately qualified personnel perform work on the product, this can cause serious injuries and significant material damage.

- ▶ All work on the product must be performed by qualified personnel.
- ▶ Before working with the product, read the document in its entirety and make sure that you have understood everything.
- ▶ Observe country-specific accident prevention regulations and the general safety notices.

The following qualifications are a prerequisite for performing various work on the product.

4.1 Electricians

Electricians are able to perform work on electrical systems, can recognize and avoid possible dangers and know the relevant standards and provisions due to their technical training, knowledge and experience.

4.2 Specialists

Specialists are able to perform the assigned work, can recognize and avoid possible dangers and know the relevant standards and provisions due to their technical training, knowledge and experience.

4.3 Instructed personnel

Instructed personnel have been trained by the operating company on the tasks and possible dangers of improper behavior.

4.4 Service personnel

Service personnel are able to perform the assigned work and can recognize and avoid possible dangers due to their technical training, knowledge and experience.

4.5 Additional qualifications

Persons who work with the product must be familiar with the valid safety regulations and laws as well as the standards, guidelines and laws listed in this document.

Personnel who work with the product must have facility-issued authorization to commission, program, configure, operate, maintain and also decommission this product.

5 Product description

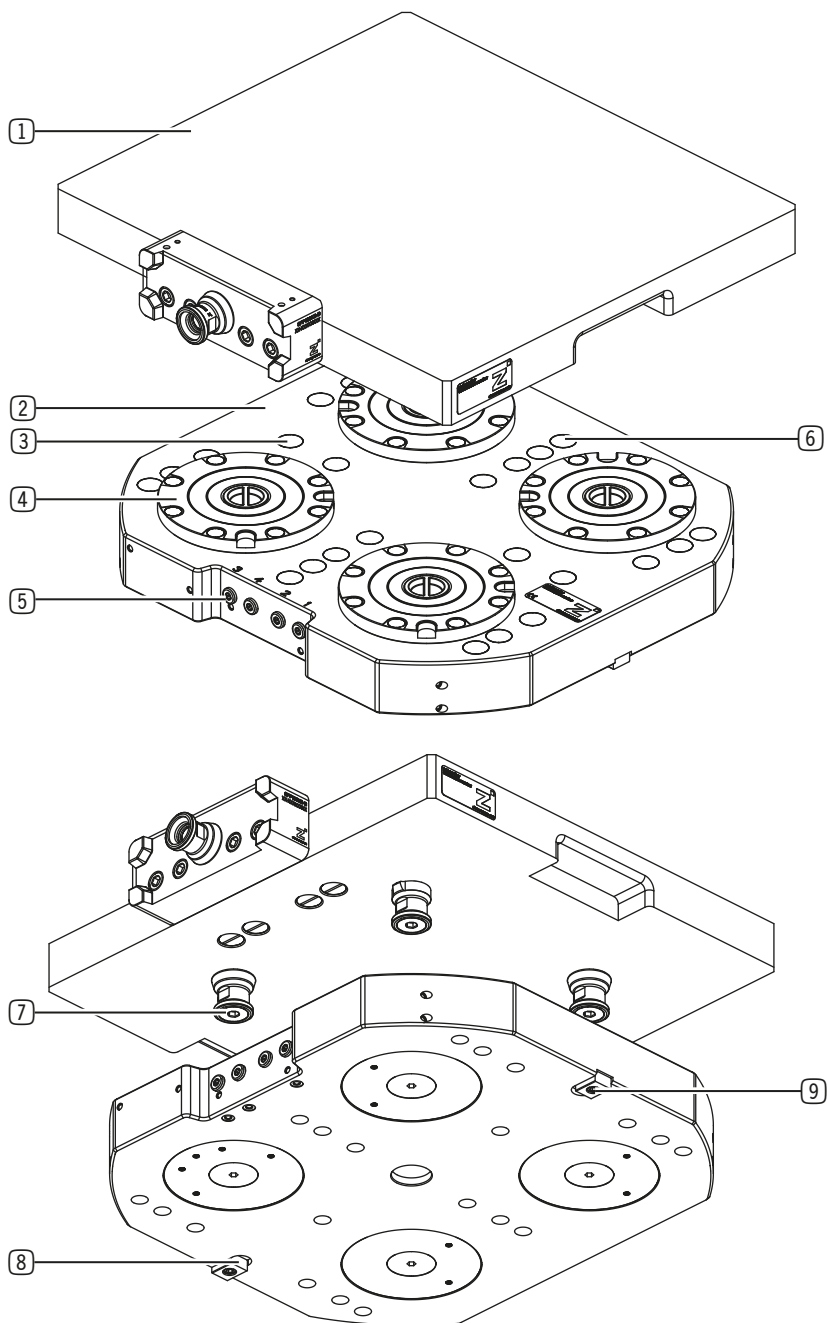
The product is designed for clamping workpieces and pallets with extremely high repeat accuracy.

The product is available in different versions. These are differentiated by the number and version of the zero-point clamping system used.

Different functions are available depending on whether the Standard or Advanced version of the product has been selected.

The product is pneumatically operated. Within the clamping plate, the zero-point clamping systems are connected via pneumatic channels. Power is supplied to all zero-point clamping systems via the same connections on the clamping plate.

5.1 Product design



- ① Pallet*
- ② Clamping plate
- ③ Threaded hole for transport
- ④ Zero-point clamping system
- ⑤ Pneumatic connections
- ⑥ Sealing cap
- ⑦ Clamping pins*
- ⑧ T-slot nut*
- ⑨ Fastening screw for T-slot nut*

*Not included in delivery

5.2 Product variants

5.2.1 Standard clamping plate

In the *Standard clamping plate*, only *standard zero-point clamping systems* are installed.

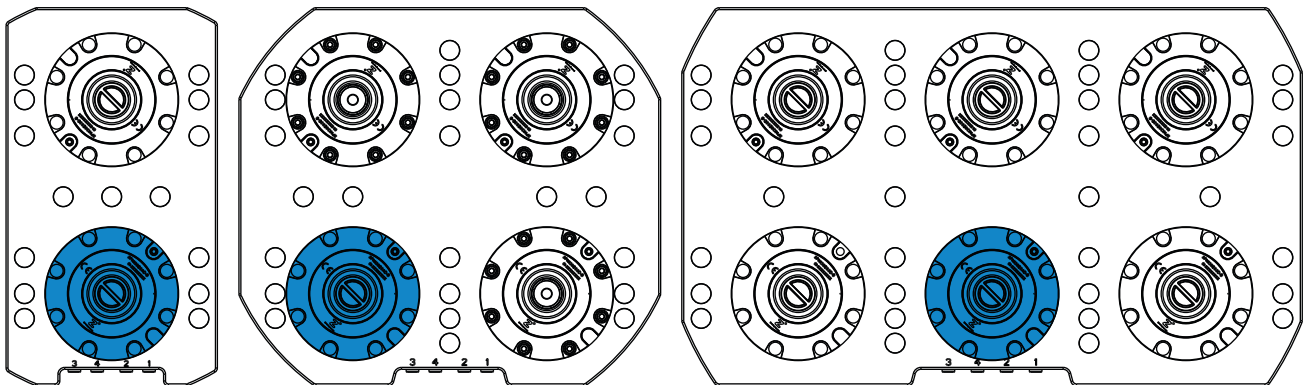
In this variant, only connections 1 and 2 can be used.

5.2.2 Advanced clamping plate

In the *Advanced clamping plate*, only an *advanced zero-point clamping system* is installed.

This zero-point clamping system is required for the use of the pneumatic piston position sensing and the positioning check.

The following figure shows an example of the position of the *advanced zero-point clamping system* in different product variants.



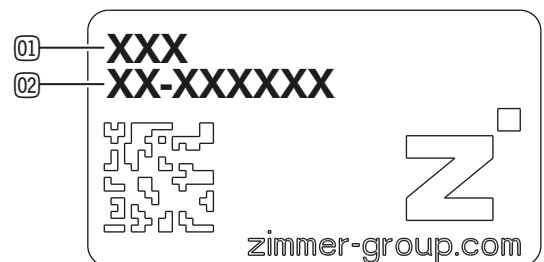
5.3 Type plate

A type plate is attached to the product.

The article number and the confirmation number are shown on the type plate.

① Article number

② Confirmation number



6 Functional description

The product is clamped using spring force without pneumatic pressure applied.

The clamping force can be further increased by using an impulse on the PLUS connection. The form-fit lock can only be released when compressed air is applied to the *Open* connection and the PLUS connection is vented.

The *blow-out/clean* function and a seal prevent dirt and liquids from penetrating the product when clamped. If the product is not in use, this can be prevented by a manually inserted locking bolt or the automatic lock.

The *piston position sensing* and *positioning check* functions ensure a secure clamping process.

INFORMATION



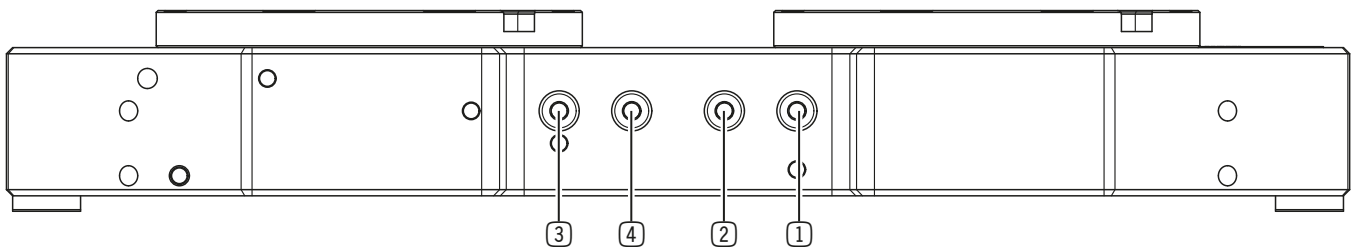
► More information can be found in the installation and operating instructions of the zero-point clamping system.

6.1 Function of the connections

INFORMATION



The functions *blow-out/clean/positioning check* and *piston position sensing* are only available in the *Advanced* product variant.



- | | |
|---|--|
| ① Open | ③ Blow-out/clean/positioning check |
| ② PLUS connection
Piston position sensing connection 5 | ④ Piston position sensing connection 4 |

6.1.1 Open

The product is clamped without pneumatic pressure applied. A spring package acts as an energy store and preserves the clamped state in the event of a power failure or interruption.

It is opened when the *Open* connection is supplied with compressed air.

6.1.2 PLUS connection

NOTICE



► Always apply compressed air to the PLUS connection for dynamic applications to ensure sufficient clamping force.

A pulse of compressed air at the PLUS connection supports the clamping process and increases the clamping force. The product remains spring-loaded.

6.1.3 Blow-out/clean

When compressed air is applied to the *blow-out/clean* connection, the product is blown out via the bolt opening and thus cleaned.

Before the workpiece or pallet is placed on top, the pressure at this connection must be switched off, as otherwise a pressure cushion may form or vibrations may occur.

- ▶ Switch off the pressure as soon as the workpiece or pallet is approx. 1 mm above the product.
- ▶ Switch on the pressure as soon as the workpiece or pallet has been lifted by approx. 1 mm.
- ▶ Maintain the maximum permitted operating pressure.
- ▶ Make sure that you can switch between the operating pressure for the *blow-out/clean* function and the pressure of 1.5 bar for the *positioning check* function.
- ▶ Please note that the *blow-out/clean* function may only be activated when the automatic lock or locking bolt is clamped.

6.1.4 Positioning check

NOTICE



Malfunction in case of non-compliance

Pressure fluctuations can influence the settings of the measuring devices and lead to incorrect measurement results.

- ▶ Keep the pressure and the air volume constant.
- ▶ Keep the supply lines as short as possible or ensure a sufficiently large cross-section.
- ▶ Check the control components regularly.
- ▶ If necessary, reset the control components.

INFORMATION



The operator of the product has sole responsibility for this function.

- ▶ Make sure that the entire contact surface of the product is covered.
- ▶ Please contact Customer Service if you have any questions.

By applying compressed air to the *positioning check* connection, it is possible to check whether the workpiece or pallet is correctly positioned on the product.

- ▶ Use a pressure switch or a flow sensor for the sensing.
- ▶ Apply pressure of 1.5 bar to the connection.

The following table describes the meaning of the states.

Connection no.	Operating pressure [bar]	Status	Effect	Meaning
3	1.5	0	Dynamic pressure	The clamped product is positioned correctly on the contact surface.
		1	Flow rate	The clamped product is not positioned correctly on the contact surface.

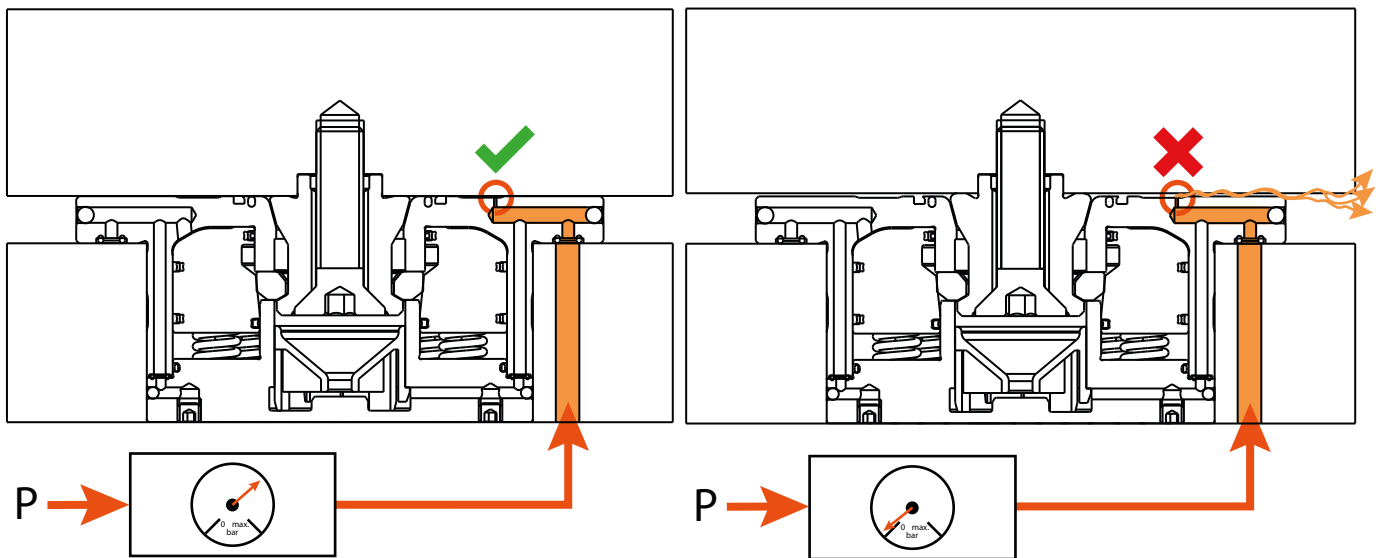
6.1.4.1 Dynamic pressure sensing via a pressure switch

- ▶ Use a pressure manometer, an adjustable throttle valve and a pressure switch.
- ▶ Make sure that the measurable differential pressure is high enough to allow a reliable evaluation via the pressure switch.
- ▶ Make sure that the hysteresis of the pressure switch does not exceed a value of ± 0.2 bar.
- ▶ If necessary, adjust the threshold value to the respective installation situation when querying several products in status 0.

Recommendation

- Setting range of the pressure switch: 0.5 bar–2 bar
- Threshold value of the pressure switch: 1 bar
- Throttle valve setting:
 - Status 1 (flow): maximum 0.7 bar
 - Status 0 (dynamic pressure): minimum 1.3 bar

6.1.4.2 Schematic diagram of a piston position sensing with a pressure switch



The clamped product is positioned correctly on the contact surface.
 ⇒ Dynamic pressure

The clamped product is not positioned correctly on the contact surface.
 ⇒ Flow rate

6.1.4.3 Dynamic pressure sensing via a flow sensor

- ▶ Use a pressure manometer, an adjustable throttle valve and a flow sensor.
- ▶ Make sure that the measurable differential volume stream is high enough to allow a reliable evaluation via the flow sensor.

When sensing multiple products, increase the values of the flow rate.

- ▶ Adjust the throttle valve setting to the specific installation situation.

Recommendation

- Measurement range of the flow sensor: 0.5 l/min–25 l/min
- Switching point of the flow sensor: 4.5 l/min
- Throttle valve setting:
 - Status 1 (flow): minimum 7 l/min
 - Status 0 (dynamic pressure): maximum 2 l/min

6.1.5 Piston position sensing

NOTICE



Malfunction in case of non-compliance

Pressure fluctuations can influence the settings of the measuring devices and lead to incorrect measurement results.

- ▶ Make sure that products can be loaded or unloaded without damage if you are not using the pneumatic piston position sensing.
- ▶ Make sure that the drilled holes are not blocked and the air can flow unimpeded to ensure accurate sensing.
- ▶ Keep the pressure and the air volume constant.
- ▶ Keep the supply lines as short as possible or ensure a sufficiently large cross-section.
- ▶ Check the control components regularly.
- ▶ If necessary, reset the control components.

INFORMATION



The operator of the product has sole responsibility for this function.

- ▶ Make sure that the entire contact surface of the product is covered.
- ▶ Please contact Customer Service if you have any questions.

Two dynamic pressure sensors are integrated in the piston position sensing to determine whether the product is open or clamped. Depending on the position of the piston, pressure is built up and measured in the open or clamped state. It is possible to use either only one of the two dynamic pressure sensors or both simultaneously for alternating piston position sensing.

The following table describes the meaning of the states.

Connection no.	Operating pressure [bar]	Open	Clamped	Closed
4	1.5	0	1	1
5	1.5	1	0	1

Status 0: Dynamic pressure

Status 1: Flow rate

6.1.5.1 Dynamic pressure sensing via a pressure switch

- ▶ Use a pressure manometer, an adjustable throttle valve and a pressure switch.
- ▶ Make sure that the measurable differential pressure is high enough to allow a reliable evaluation via the pressure switch.
- ▶ Make sure that the hysteresis of the pressure switch does not exceed a value of ± 0.2 bar.
- ▶ If necessary, adjust the threshold value to the respective installation situation when querying several products in status 0.

Recommendation

- Setting range of the pressure switch: 0.5 bar–2 bar
- Threshold value of the pressure switch: 1 bar
- Throttle valve setting:
 - Status 1 (flow): maximum 0.7 bar
 - Status 0 (dynamic pressure): minimum 1.3 bar

6.1.5.2 Dynamic pressure sensing via a flow sensor

- ▶ Use a pressure manometer, an adjustable throttle valve and a flow sensor.
- ▶ Make sure that the measurable differential volume stream is high enough to allow a reliable evaluation via the flow sensor.

When sensing multiple products, increase the values of the flow rate.

- ▶ Adjust the throttle valve setting to the specific installation situation.

Recommendation

- Measurement range of the flow sensor: 0.5 l/min–25 l/min
- Switching point of the flow sensor: 4.5 l/min
- Throttle valve setting:
 - Status 1 (flow): minimum 7 l/min
 - Status 0 (dynamic pressure): maximum 2 l/min

7 Technical data

INFORMATION



- ▶ You can find the information in the technical data sheet on our website.
- ▶ This data varies within the series, depending on the specific design.
- ▶ Please contact Customer Service if you have any questions.

8 Accessories/scope of delivery

INFORMATION



- ▶ If any accessories not sold or authorized by Zimmer GmbH are used, the function of the product cannot be guaranteed. Zimmer GmbH accessories are specifically tailored to the individual products.
- ▶ For optional accessories and those included in the scope of delivery, refer to our website.

9 Transportation/storage/preservation

- ▶ Transport and storage of the product must be done only with the original packaging.
- ▶ If the product has already been installed on the superordinate machine unit, care must be taken during transport to ensure that no unexpected movements can occur.
 - ▶ Before commissioning the product and after transport, check all power and communication connections as well as all mechanical connections.
- ▶ If the product is stored for an extended period, the following points are to be observed:
 - ▶ Keep the storage location as dust-free and dry as possible.
 - ▶ Avoid temperature fluctuations.
 - ▶ Avoid wind/drafts/water condensation formation.
 - ▶ Pack the product and do not expose it to direct sunlight during storage.
- ▶ Clean all components. There must be no soiling left on the components.
- ▶ Visually inspect all components.
- ▶ Remove all foreign substances.
- ▶ Properly remove potential corrosion spots.
- ▶ Close off unused connections using pressure-resistant closures.

10 Installation

WARNING



Risk of injury due to uncontrolled movements

Risk of injury in case of unexpected movement of the machine or system into which the product is to be installed.

- ▶ Switch off the energy supply of the machine before any work.
- ▶ Secure the power supply against being switched on unintentionally.
- ▶ Check the machine for any residual energy that may be present.

CAUTION



Risk of injury due to uncontrolled movements

Risk of injury in the event of uncontrolled movement of the product when the power supply is connected.

- ▶ Switch off the power supply to the machine before carrying out any work.
- ▶ Secure the power supply against being switched on unintentionally.
- ▶ Check the machine for any residual energy that may be present.

Assembly requirements

Permissible flatness tolerance [mm]	0.02
-------------------------------------	------

INFORMATION



Further installation information:

- The mounting screws are not included in the scope of delivery.

- ▶ Install the product on an appropriate mounting surface in accordance with the flatness specifications.
- ▶ Make sure that the mounting piece is sufficiently rigid.
- ▶ Ensure the cleanliness of the connection surfaces.
- ▶ Please note the permitted tightening torques of the mounting screws at www.zimmer-group.com/en/td.

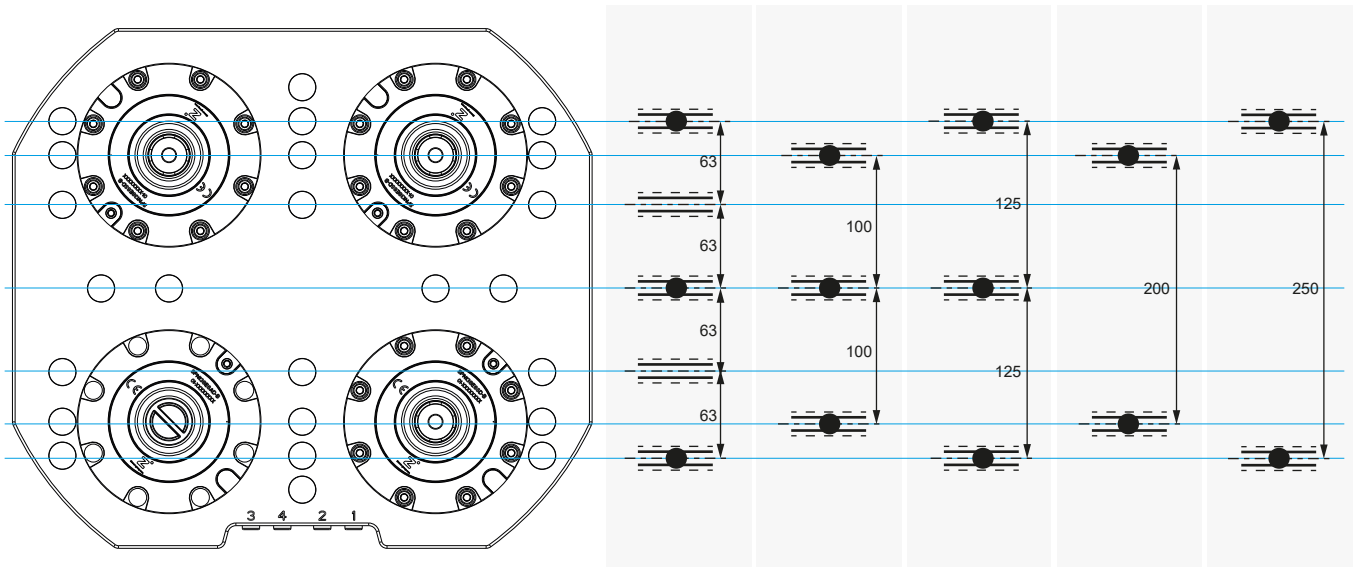
10.1 Installing the product

The product has drilled holes at different distances. These are used to attach T-slot nuts and for installing in T-slots on machine tables.

- ▶ Position the product on the mounting piece.
- ▶ If necessary, use the T-slot nuts for the alignment.
- ▶ Position the T-slot nuts under the corresponding drilled holes on the product.
- ▶ Insert the mounting screws into the corresponding holes in the product and mount them loosely in the T-slot nuts.
- ▶ Slide the product over the T-slot nuts into the T-slots on the machine table.
- ▶ Tighten the mounting screws without distortion.

The following figure shows an example of a clamping plate with four zero-point clamping systems.

The following mounting options at the following distances are available for installation on machine tables with T-slots.



10.2 Overview of clamping pins

Article number	Centering pin	Retention pins	Sword pins
SPN062E6SD-B	SPZ062BZ08-B	SPZ062BE08-B	SPZ062BS08-B
SPN062E4SD-B			
SPN062E6AD-B			
SPN062E4AD-B			
SPN112E6SD-B	SPZ112BZ10-B	SPZ112BE10-B	SPZ112BS10-B
SPN112E4SD-B			
SPN112E6AD-B			
SPN112E4AD-B			
SPN138E6SD-B	SPZ138BZ12-B	SPZ138BE12-B	SPZ138BS12-B
SPN138E4SD-B			
SPN138E6AD-B			
SPN138E4AD-B			

10.3 Installing clamping pins

NOTICE



The holding force of the product depends on the strength of the screw connection with which the clamping pin is connected to a workpiece, device or pallet.

It is not permitted to install the clamping pin using incorrect components, e.g., mounting screws that are too short.

- ▶ Only use original clamping pins from Zimmer GmbH.
- ▶ Make sure that the screw-in depth or thickness of the mounting material in the workpiece or pallet is sufficient.

NOTICE



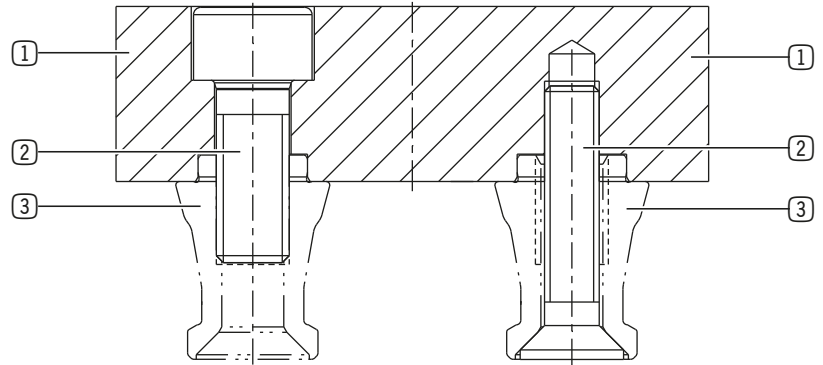
Zimmer GmbH is not liable for specially made devices or pallets that do not comply with the specifications described in these installation and operating instructions.

The operator is responsible for ensuring functionality, accuracy and safety.

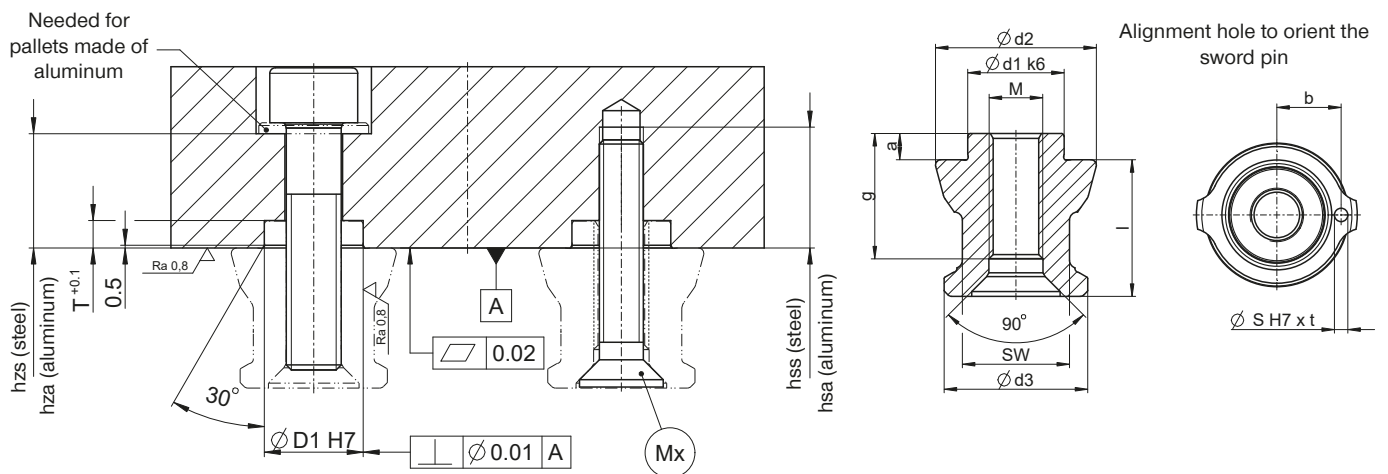
The prefabricated holes can be used for installation of the clamping pins on Zimmer GmbH pallets. For installation on other workpieces, devices or pallets, centering holes must be made for the clamping pins.

There are two ways to install the clamping pins.

- ▶ Use the drilling pattern for the mounting pins according to the chosen mounting variant for the workpiece or pallet.
- ▶ Take the installation recommendation into account.
- ▶ Install the clamping pins from above or below to the workpiece or pallet with the correct mounting screws.



- ① Workpiece/Pallet
- ② Mounting screw
- ③ Clamping pins



SPZ062

Technical data (general tolerances in accordance with ISO 2768-m)			
Order number	SPZ062BZ08-B	SPZ062BE08-B	SPZ062BS08-B
Ød1 [mm]	12	12	12
Ød2 [mm]	17	16.85	17
Ød3 [mm]	14.3	14.3	14.3
ØD1 [mm]	12	12	12
a [mm]	2.9	2.9	2.9
g [mm]	12	12	12
b [mm]	7.25	7.25	7.25
S [mm]	1.5	1.5	1.5
t [mm]	1.5	1.5	1.5
l [mm]	19.5	19.5	19.5
SW [mm]	12	12	12
T [mm]	3	3	3
hzs min. [mm]	10	10	10
hza min. [mm]	15	15	15
hss min. [mm]	10	10	10
hsa min. [mm]	15	15	15
M*	M8	M8	M8
Mx**	M6	M6	M6

SPZ112

Technical data (general tolerances in accordance with ISO 2768-m)						
Order number	SPZ112BZ10-B	SPZ112BZ12-B	SPZ112BE10-B	SPZ112BE12-B	SPZ112BS10-B	SPZ112BS12-B
ØD1 [mm]	18	18	18	18	18	18
Ød2 [mm]	30	30	29.85	29.85	30	30
Ød3 [mm]	26.8	26.8	26.8	26.8	26.8	26.8
ØD1 [mm]	18	18	18	18	18	18
a [mm]	4.9	4.9	4.9	4.9	4.9	4.9
g [mm]	24	24	24	24	24	24
b [mm]	12	12	12	12	12	12
S [mm]	2.5	2.5	2.5	2.5	2.5	2.5
t [mm]	3	3	3	3	3	3
l [mm]	25.5	25.5	25.5	25.5	25.5	25.5
SW [mm]	20	20	20	20	20	20
T [mm]	5	5	5	5	5	5
hzs min. [mm]	15	15	15	15	15	15
hza min. [mm]	20	20	20	20	20	20
hss min. [mm]	15	15	15	15	15	15
hsa min. [mm]	25	25	25	25	25	25
M*	M10	M12	M10	M12	M10	M12
Mx**	M8	M10	M8	M10	M8	M10

SPZ138

Technical data (general tolerances in accordance with ISO 2768-m)						
Order number	SPZ138BZ12-B	SPZ138BZ16-B	SPZ138BE12-B	SPZ138BE16-B	SPZ138BS12-B	SPZ138BS16-B
Ød1 [mm]	25	25	25	25	25	25
Ød2 [mm]	35	35	34.85	34.85	35	35
Ød3 [mm]	31.2	31.2	31.2	31.2	31.2	31.2
ØD1 [mm]	25	25	25	25	25	25
a [mm]	4.9	4.9	4.9	4.9	4.9	4.9
g [mm]	29	29	29	29	29	29
b [mm]	15	15	15	15	15	15
S [mm]	2.5	2.5	2.5	2.5	2.5	2.5
t [mm]	3	3	3	3	3	3
l [mm]	32	32	32	32	32	32
SW [mm]	22	22	22	22	22	22
T [mm]	5	5	5	5	5	5
hzs min. [mm]	20	20	20	20	20	20
hza min. [mm]	25	25	25	25	25	25
hss min. [mm]	20	20	20	20	20	20
hsa min. [mm]	30	30	30	30	30	30
M*	M12	M16	M12	M16	M12	M16
Mx**	M10	M12	M10	M12	M10	M12

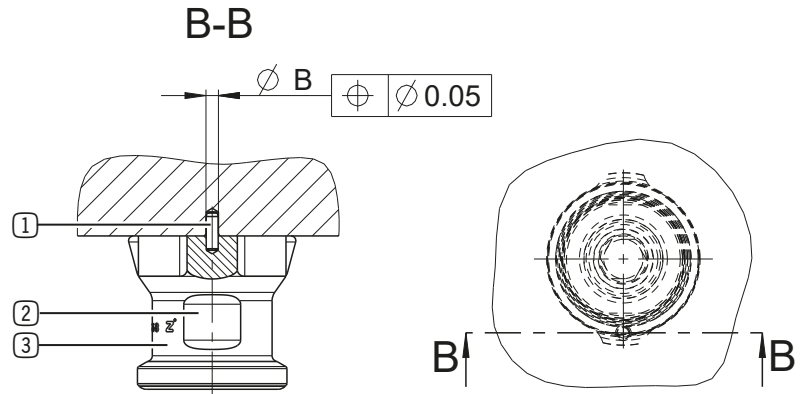
*ISO4762			**ISO10642		
Thread size	Strength class	Max. holding force [kN]	Thread size	Strength class	Max. holding force [kN]
M6	12.9	15	M6	12.9	12
M8	12.9	25	M8	12.9	20
M10	12.9	35	M10	12.9	28
M12	12.9	50	M12	12.9	40
M16	12.9	75	M16	12.9	60
M6	10.9	12	M6	10.9	9.5
M8	10.9	20	M8	10.9	16
M10	10.9	30	M10	10.9	24
M12	10.9	40	M12	10.9	32
M16	10.9	60	M16	10.9	48

10.3.1 Positioning the sword pins

The sword pins can be positioned using a straight pin.

- ▶ If you are using a straight pin, lock the clamping pins to the wrench flats with a flat wrench during installation.
- ⇒ The straight pin will not shear off.
- ▶ Note the dimensions indicated in the table.

- ① Straight pins
- ② Wrench flats
- ③ Clamping pins



Design size	Ø B [mm]
SPN062	1.6
SPN112	2.6
SPN138	2.6

10.3.2 Arranging the clamping pins

NOTICE



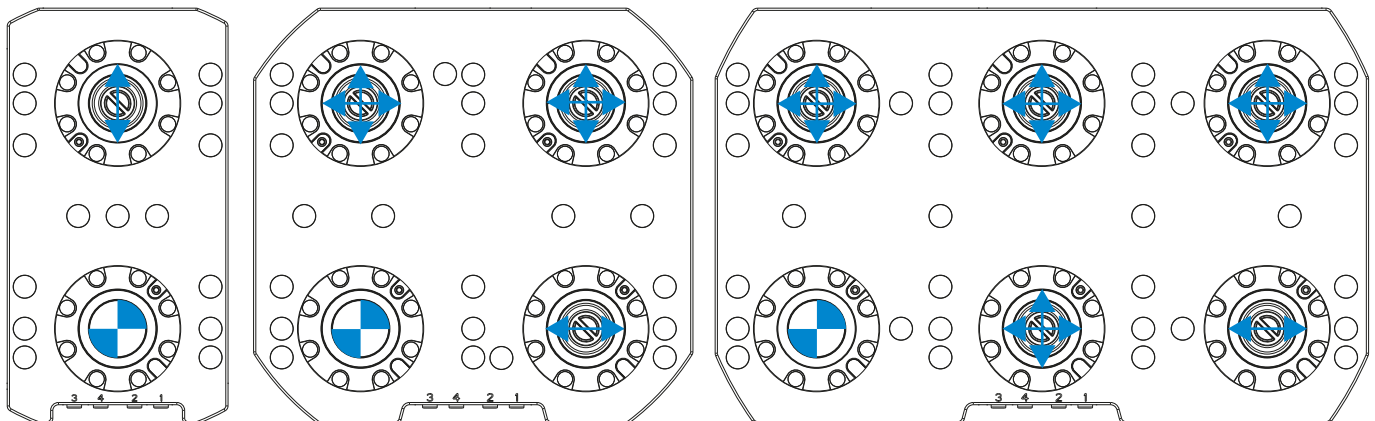
▶ Maintain a position tolerance of 0.03 mm when spacing the clamping pins.

INFORMATION



▶ You can find more information in the technical data sheet on our website.

Drawing	Pin	Degree of freedom
	Centering pin	No degree of freedom
	Sword pins	Degree of freedom in the direction of the arrow
	Retention pins	Degree of freedom in the direction of the arrow



10.3.3 Note the minimum diameter of the zero-point clamping system

NOTICE

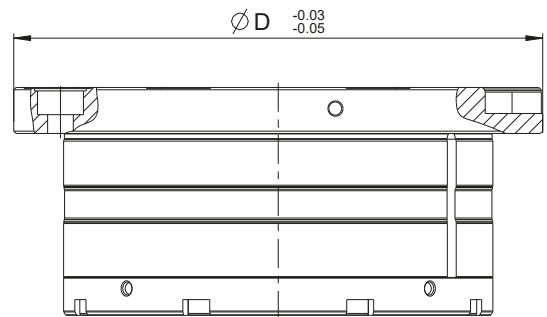


Malfunction due to contamination

If the contact surface is not completely covered, dirt can penetrate the product and lead to malfunctions in the piston position sensing and positioning check.

- ▶ For customer-specific workpieces or pallets, make sure that the contact surface of the clamping plate is always completely covered.
- ▶ To do so, note the diameter of the zero-point clamping systems.

Design size	Ø D min. [mm]
SPN062	62
SPN112	112
SPN138	138



10.3.4 Tightening torques

INFORMATION



The tightening torques apply to screw connections in components made of 16MnCr5 material.

ISO4762			ISO10642		
Thread size	Strength class	Tightening torque [Nm]	Thread size	Strength class	Tightening torque [Nm]
M6	12.9	15	M6	12.9	12
M8	12.9	38	M8	12.9	29
M10	12.9	75	M10	12.9	57
M12	12.9	128	M12	12.9	99
M16	12.9	313	M16	12.9	183
M6	10.9	13	M6	10.9	10
M8	10.9	33	M8	10.9	25
M10	10.9	64	M10	10.9	49
M12	10.9	110	M12	10.9	84
M16	10.9	268	M16	10.9	156

10.4 Installing the energy supply

NOTICE



- ▶ For more information refer to the pneumatic diagram SPL000559.
- ▶ You can find the information in the technical data sheet on our website.
- ▶ Close off unused connections using pressure-resistant closures.
- ▶ The authorized connections that are available can be found in the accessories list on our website. The necessary ordering information can also be found there.
- ▶ Use compressed air in accordance with DIN ISO 8573-1 [7:4:4].

11 Commissioning

11.1 Checking operational readiness

- ▶ Visually inspect all connections.
- ▶ Check all connections for leaks.
- ▶ Check all mounting screws for the prescribed tightening torque.

12 Operation

- ▶ Thoroughly clean the contact surface of the product as well as the contact surfaces of the clamping pins and the clamping material before clamping.
- ▶ Make sure that the entire contact surface of the product is covered.
- ▶ Secure the product against unintentional loosening during operation.
- ▶ Protect the pin holder from dirt when the product is not in use.
 - ▶ Use accessories such as the locking bolt or the automatic seal.

13 Maintenance

CAUTION



Risk of injury in case of non-compliance

A flawless condition is a requirement for the safety of the product.

- ▶ Take the product immediately out of operation if there is any visible damage or signs of malfunctions.
- ▶ Replace any worn components.
- ▶ Do not put the product into operation again until the damage has been repaired.

NOTICE



Material damage resulting from blowing out with compressed air

Blowing out the product with compressed air can cause malfunctions and pose a risk of accidents.

- ▶ Never purge the product with compressed air.

NOTICE



Material damage caused by unsuitable cleaning materials

Liquid and solvent-based cleaning agents can cause malfunctions and pose a risk of accidents.

- ▶ Do not clean the product with any cleaning agents that are liquid or contain solvents.

The maintenance interval depends on the respective application. The higher the strain, the more frequently maintenance must be carried out.

- ▶ Have maintenance work that requires disassembly of the product performed by customer service only.
- ⇒ Dismantling and reassembling the product without authorization may result in complications, as special installation equipment is required in some cases. Zimmer GmbH accepts no liability for any resulting malfunctions or damage.

Interval	Maintenance work
After 10,000 cycles or every 3 weeks	<ul style="list-style-type: none"> ▶ Visually inspect all components. ▶ Clean the product if it is dirty. ▶ Check the screw fitting of the clamping pin for a secure hold. ▶ Replace damaged products.
After 50,000 cycles or every year	<ul style="list-style-type: none"> ▶ Measure the clamping force. ▶ For suitable measuring devices that are available, refer to the accessories list on our website. ▶ If the clamping force falls below 15%, either continue to use the product at your own risk or have Zimmer GmbH carry out an inspection. ▶ If the clamping force falls below the specified value by more than 15%, have Zimmer GmbH carry out an inspection.

14 Error diagnosis

NOTICE



Malfunction due to contamination

If the contact surface is not completely covered, dirt can penetrate the product and lead to malfunctions in the piston position sensing and positioning check.

- ▶ Make sure that the entire contact surface of the product is covered.

Fault	Possible cause	Measure
Product does not open.	<ul style="list-style-type: none"> • Operating pressure is too low. • Leakages, blockages or crushed power supply lines • Excess force is acting upon the clamping pin. • Piston does not move. 	<ul style="list-style-type: none"> ▶ Apply the corresponding operating pressure to the product. ▶ Check the pneumatics. ▶ Reduce the tensile load or compressive load on the product. ▶ Vent the product via the PLUS connection.
Product has a delay when opening.	<ul style="list-style-type: none"> • Valve is too small. • Supply lines too long 	<ul style="list-style-type: none"> ▶ Use a larger valve. ▶ Keep the supply lines as short as possible or ensure a sufficiently large cross-section.
Air leak or blow-off noise	• Leakage	▶ Check the pneumatics.
	• Installation error	<ul style="list-style-type: none"> ▶ Re-install the product. ▶ Check the seals. ▶ Check the pneumatics. ▶ Open and close the product multiple times.
Dimensional deviations/chatter marks	• Centering pin is not correctly retracted.	▶ Clean the product.
	• Product is dirty.	▶ Clean the product.
	• Product is worn.	▶ Replace the product.

15 Decommissioning/disposal

INFORMATION



When the product reaches the end of its operational phase, it can be completely disassembled and disposed of.

- ▶ Disconnect the product completely from the power supply.
- ▶ Dispose of the components properly according to the material groups.
- ▶ Comply with the locally applicable environmental and disposal regulations.

16 REACH declaration

In terms of the EC Regulation 1907/2006

Name and address of the manufacturer:

Zimmer GmbH

📍 Im Salmenkopf
77866 Rheinau, Germany

☎ +49 7844 9138 0

✉ info@zimmer-group.com

🌐 www.zimmer-group.com

REACH stands for **R**egistration, **E**valuation, **A**uthorisation and **R**estriction of **C**hemicals.

A full declaration of REACH can be obtained from the manufacturer due to the duty to notify in accordance with Art. 33 of the REACH regulation (“Duty to communicate information on substances in articles”).

Michael Hoch

Authorized representative for the compilation of relevant technical documents

Rheinau, Germany, 2020-03-31

(Place and date of issuance)



Martin Zimmer
(Legally binding signature)
Managing Partner

17 Declaration of Conformity

In terms of the EU Machinery Directive 2006/42/EC (Annex II 1 A)

Name and address of the manufacturer:

Zimmer GmbH

 Im Salmenkopf
 77866 Rheinau, Germany
 +49 7844 9138 0
 info@zimmer-group.com
 www.zimmer-group.com

We hereby declare that the products described below

Product designation: Clamping plate

Type designation: SPN

conforms to the requirements of the 2006/42/EC directive in its design and the version we put on the market.

The following harmonized standards have been used:

DIN EN ISO 12100	Safety of machinery - General principles for design - Risk assessment and risk reduction
DIN EN ISO 13849-1/-2	Safety of machinery - Safety-related parts of control systems

A full list of applied standards can be obtained from the manufacturer.

Michael Hoch

Authorized representative for the compilation of relevant technical documents

Rheinau, Germany, 2020-03-31

(Place and date of issuance)



Martin Zimmer
 (Legally binding signature)
 Managing Partner