

CHANGEABLE JAW, FIX-PART WB5010F

CHANGEABLE JAW, LOOSE-PART-SET WB5010L

▶ PRODUCT SPECIFICATIONS

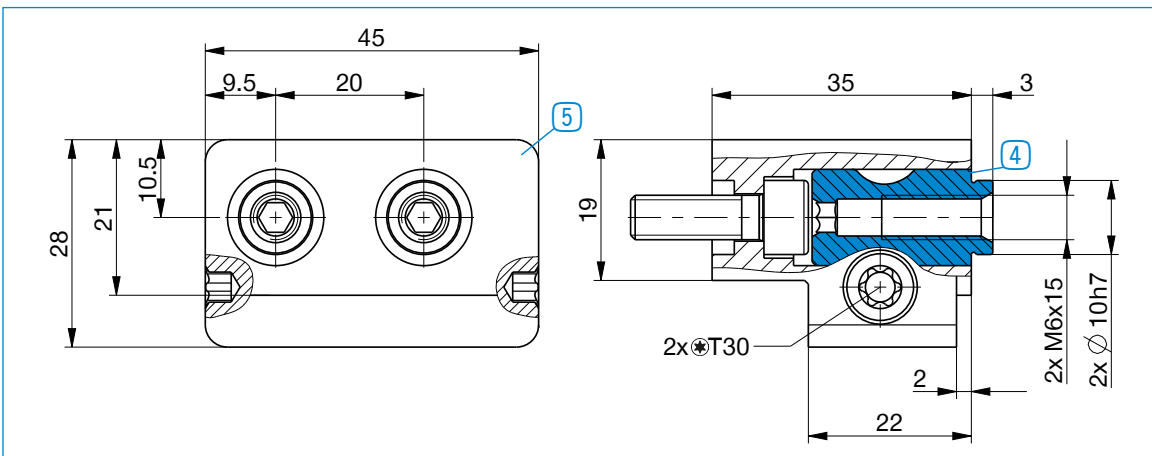


5 Changeable jaw, fix-part

4 Changeable jaw, loose-part-set

▶ Technical data

Order no.	WB5010F	WB5010L
Compatible with installation size	GPP5010 / GPD5010	GPP5010 / GPD5010
Tightening torque [Nm]	7	
Packaging unit [piece]	1	2
Weight [kg]	0.24	0.029



For each gripper jaw, one interchangeable jaw loose part set **4** and one interchangeable jaw fixed part **5** are needed