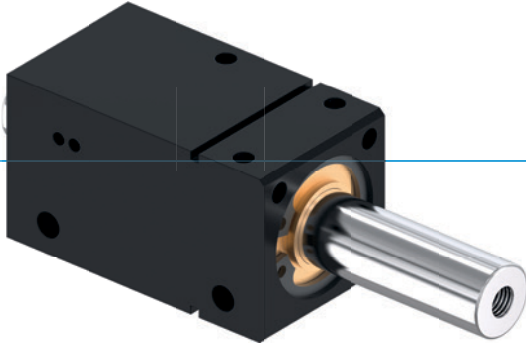


LINEAR CYLINDERS

SERIES SHX

▶ PRODUCT ADVANTAGES



▶ Proven technology

We have more than 20 years of proven reliability, which ensures uninterrupted production for you





▶ Constant drive force

Equal force and travel time when retracting and extending increases your machine's process reliability

▶ Failure-free continuous operation

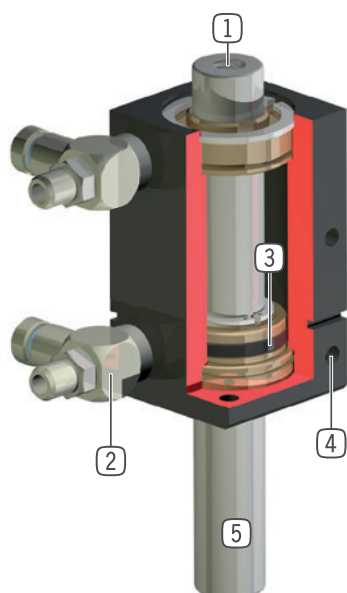
Our uncompromising "Made in Germany" quality guarantees up to 10 million maintenance-free cycles

▶ SERIES CHARACTERISTICS

Installation size	Version	
SH-X	-	D
 Continuous piston rod		●
 10 million maintenance-free cycles (max.)	●	●
 Inductive sensor	●	●
 IP54	●	●



► BENEFITS IN DETAIL



- ① **Connection to customer specific application**
 - possible from several sides on XD series
- ② **Energy supply**
 - reducing exhaust air is recommended
- ③ **Drive**
 - double-acting pneumatic cylinder
- ④ **Mounting and positioning**
 - mounting possible from several sides for versatile positioning
- ⑤ **Piston rod**
 - polished, hard chrome plated steel
 - continuous in design XD

► TECHNICAL DATA

Installation size	Stroke [mm]	Retraction force [N]	Weight [kg]	IP class
SH-X	7 - 50	100	0,09 - 0,18	IP54
SH-XD	25 - 50	100	0,19 - 0,27	IP54

► FURTHER INFORMATION IS AVAILABLE ONLINE



All information just a click away at: www.zimmer-group.com. Find data, illustrations, 3D models and operating instructions for your installation size using the order number for your desired product. Quick, clear and always up-to-date.

LINEAR CYLINDERS

INSTALLATION SIZE SH-XD

▶ PRODUCT SPECIFICATIONS



▶ RECOMMENDED ACCESSORIES



ENERGY SUPPLY



DRV5X4
Flow Control Valves - with Swivel joint



DSV1-8
Pressure safety valve



DSV1-8E
Pressure safety valve with quick exhaust



SENSORS



KB3M
Mounting block



NJ3-E2
Inductive proximity switch - Cable 5 m



SENSORS



NJ3-E2SK
Inductive Proximity Switch Cable 0,3 m - Connector M8



CONNECTIONS / OTHER



KAG500
Plug-in connector Straight Cable 5m - Socket M8 (female)



KAW500
Plug-in connector Angled Cable 5m - Socket M8 (female)



S8-G-3
Plug-in connector customizable Straight - Connector M8



S12-G-3
Plug-in connector customizable Straight - Connector M12

Order no.	▶ Technical data	
	SH-XD25	SH-XD50
Stroke [mm]	25	50
Retraction force [N]	100	100
Nominal operating pressure [bar]	6	6
Operating temperature min. [°C]	5	5
Operating temperature max. [°C]	+80	+80
Air volume per cycle [cm ³]	12	25
Weight [kg]	0.16	0.24

