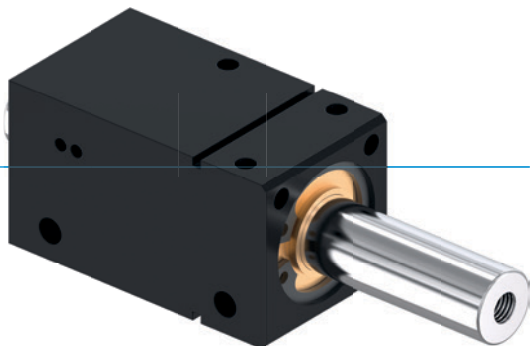


LINEAR CYLINDERS

SERIES SHX

▶ PRODUCT ADVANTAGES



▶ Proven technology

We have more than 20 years of proven reliability, which ensures uninterrupted production for you





▶ Constant drive force

Equal force and travel time when retracting and extending increases your machine's process reliability

▶ Failure-free continuous operation

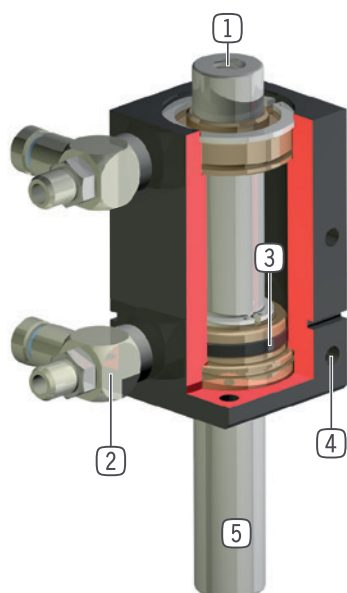
Our uncompromising "Made in Germany" quality guarantees up to 10 million maintenance-free cycles

▶ SERIES CHARACTERISTICS

| Installation size | Version | |
|---|---------|---|
| SH-X | - | D |
|  Continuous piston rod | | ● |
|  10 million maintenance-free cycles (max.) | ● | ● |
|  Inductive sensor | ● | ● |
|  IP54 | ● | ● |



► BENEFITS IN DETAIL



- ① **Connection to customer specific application**
 - possible from several sides on XD series
- ② **Energy supply**
 - reducing exhaust air is recommended
- ③ **Drive**
 - double-acting pneumatic cylinder
- ④ **Mounting and positioning**
 - mounting possible from several sides for versatile positioning
- ⑤ **Piston rod**
 - polished, hard chrome plated steel
 - continuous in design XD

► TECHNICAL DATA

| Installation size | Stroke [mm] | Retraction force [N] | Weight [kg] | IP class |
|-------------------|-------------|----------------------|-------------|----------|
| SH-X | 7 - 50 | 100 | 0,09 - 0,18 | IP54 |
| SH-XD | 25 - 50 | 100 | 0,19 - 0,27 | IP54 |

► FURTHER INFORMATION IS AVAILABLE ONLINE



All information just a click away at: www.zimmer-group.com. Find data, illustrations, 3D models and operating instructions for your installation size using the order number for your desired product. Quick, clear and always up-to-date.

LINEAR CYLINDERS

INSTALLATION SIZE SH-X

▶ PRODUCT SPECIFICATIONS



▶ RECOMMENDED ACCESSORIES



ENERGY SUPPLY



DRV5X4
Flow Control Valves - with Swivel joint



DSV1-8
Pressure safety valve



DSV1-8E
Pressure safety valve with quick exhaust



SENSORS



KB3M
Mounting block



NJ3-E2
Inductive proximity switch - Cable 5 m



SENSORS



NJ3-E2SK
Inductive Proximity Switch Cable 0,3 m - Connector M8



CONNECTIONS / OTHER



KAG500
Plug-in connector Straight Cable 5m - Socket M8 (female)



KAW500
Plug-in connector Angled Cable 5m - Socket M8 (female)



S8-G-3
Plug-in connector customizable Straight - Connector M8



S12-G-3
Plug-in connector customizable Straight - Connector M12

| Order no. | ► Technical data | | | |
|---|------------------|--------|--------|--------|
| | SH-X7 | SH-X15 | SH-X25 | SH-X50 |
| Stroke [mm] | 7 | 15 | 25 | 50 |
| Retraction force [N] | 100 | 100 | 100 | 100 |
| Extension time [ms] | 5 | 15 | 34 | 65 |
| Retraction time [ms] | 7.5 | 24 | 60 | 124 |
| Nominal operating pressure [bar] | 6 | 6 | 6 | 6 |
| Operating temperature min. [°C] | 5 | 5 | 5 | 5 |
| Operating temperature max. [°C] | +80 | +80 | +80 | +80 |
| Air volume per cycle [cm ³] | 1.7 | 3.4 | 13.4 | 30 |
| Weight [kg] | 0.075 | 0.092 | 0.11 | 0.17 |

