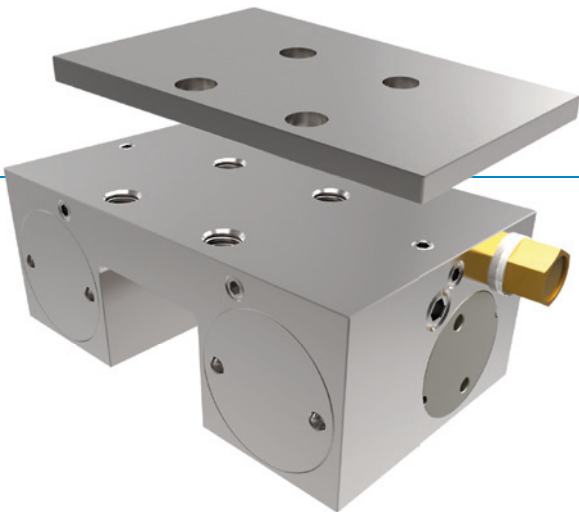


CLAMPING ELEMENTS | PNEUMATIC SERIES MK

▶ PRODUCT ADVANTAGES



- ▶ **broad range of products**
For all common profile rail guides
- ▶ **Energize to close (NO)**
Closing with pressure
- ▶ **high durability**
Up to 5 million static clamping cycles

▶ THE BEST PRODUCT FOR YOUR APPLICATION

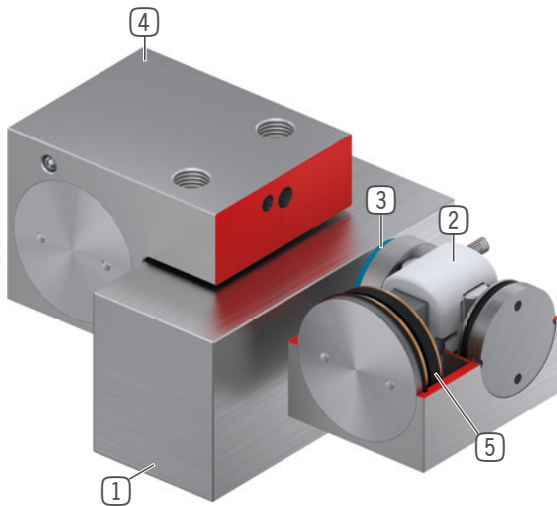
APPLICATION SCENARIOS

- ▶ **Positioning of axes**
- ▶ **Fixing of vertical axes**
- ▶ **Positioning of lifting units**

FURTHER INFORMATION

- ▶ **Spacer plate**
In addition, a spacer plate might have to be ordered as height compensation, depending on the height of the rail carriage (dimension D).
- ▶ **Special variants on request, e.g.**
With proximity switch monitoring
With additional air connection (from above, from the front)
made of stainless steel

► BENEFITS IN DETAIL



- ① **Profile rail guide**
- Available for all common profile rail guides
- ② **Wedge-type gear**
- Power transmission between piston and clamping jaw
- ③ **Clamping jaw**
- Pressed at the free surfaces of the profile rail guide
- ④ **Housing**
- ⑤ **Pneumatic piston**
- The piston moves the wedge-type gear longitudinally

► INFORMATION ON THE SERIES

Series	► Technical data
	MK
Rail size	12-65 mm
Holding force	350-2250 N
Pressure min. / max.	3 / 6.5
Spring storage	inexistent
PLUS connection	No
B10d value	up to 5 million
Dynamic braking cycles	not suitable
Operation	pneumatic
Operating temperature	-10 ... +70 [°C]