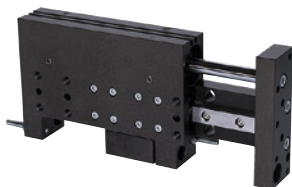


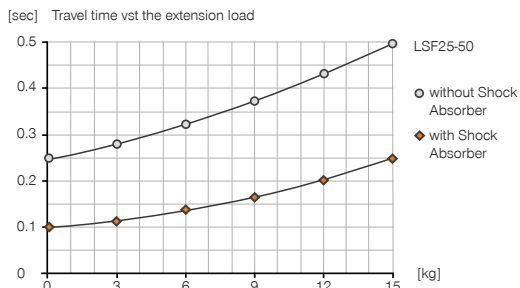
LINEAR RAIL SLIDES

LSF25-50

▶ PRODUCT SPECIFICATIONS

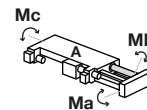


▶ Time diagram



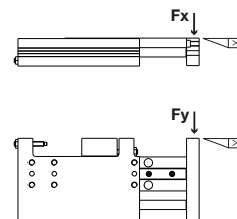
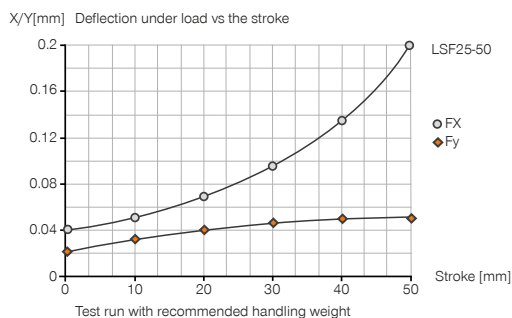
▶ Forces and moments

Max allowable static forces and moments on face A.



Ma [Nm]	100
Mb [Nm]	100
Mc [Nm]	40

▶ Load diagram



▶ RECOMMENDED ACCESSORIES



SENSORS



KB8
Mounting block



NJ8-E2
Inductive proximity switch - Cable 5 m



NJ8-E2S
Inductive proximity switch - Connector M8



MFS02-K-KHC-P1-PNP
Magnetic field sensor straight, cable 5 m



MFS02-S-KHC-P1-PNP
Magnetic field sensor straight, cable 0.3 m - M8 connector



CONNECTIONS / OTHER



PHE12X10NS-A-90
Industrial shock absorbers PowerStop



KAG500
Plug-in connector Straight Cable 5m - Socket M8 (female)



KAW500
Plug-in connector Angled Cable 5m - Socket M8 (female)



S8-G-3
Plug-in connector customizable Straight - Connector M8



S12-G-3
Plug-in connector customizable Straight - Connector M12



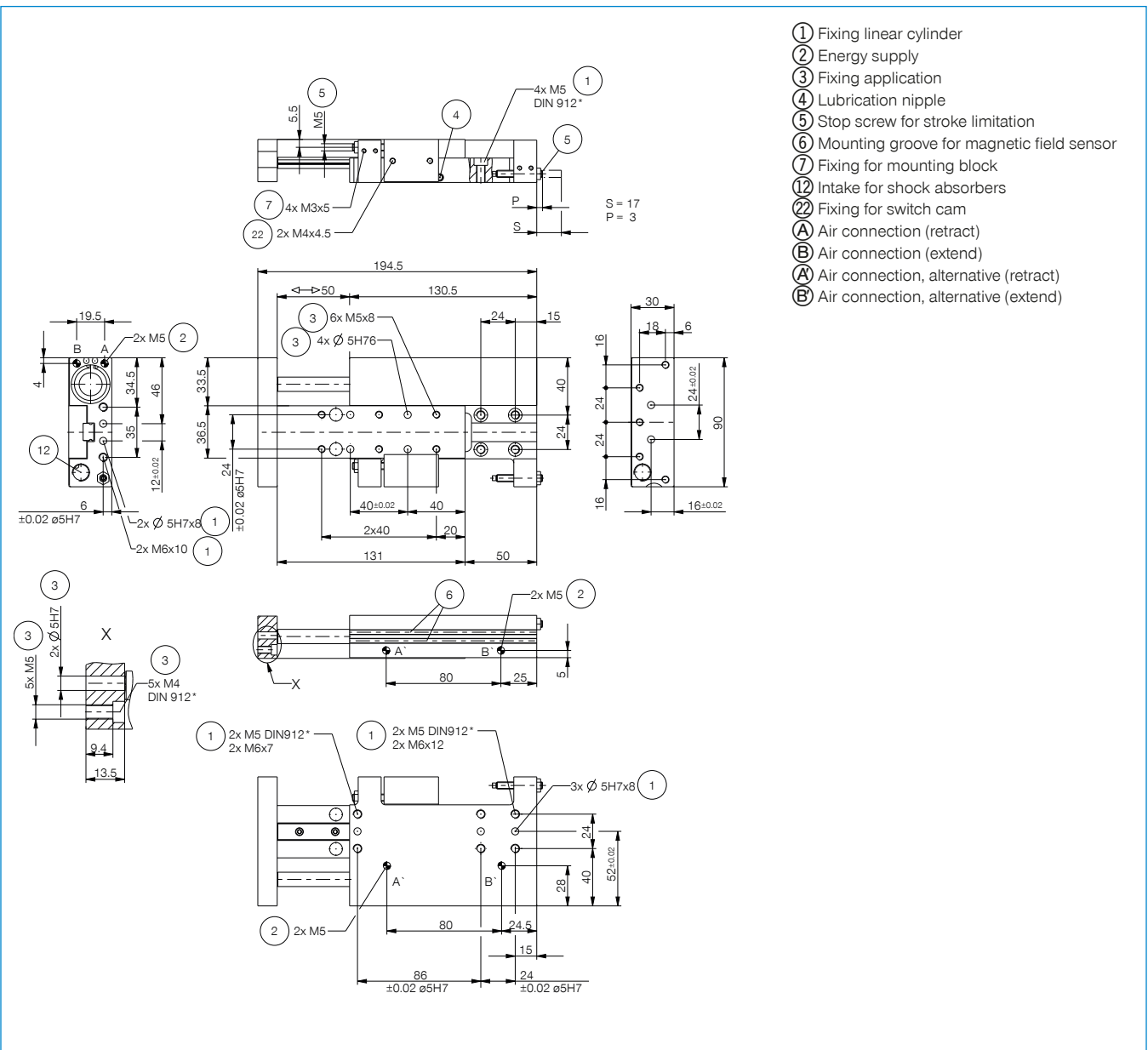
SN09
Switch cam + screws

► Technical data

Order no.

LSF25-50

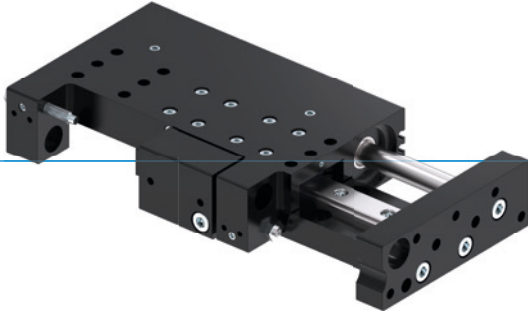
Stroke [mm]	50
Pressure force max. [N]	265
Retraction force [N]	220
Piston diameter [mm]	25
Guide rail size [mm]	12
Nominal operating pressure [bar]	6
Operating temperature min. [°C]	5
Operating temperature max. [°C]	+80
Air volume per cycle [cm³]	45
Weight [kg]	1.2



LINEAR RAIL SLIDES

SERIES LSF

▶ PRODUCT ADVANTAGES



▶ **Precise profile guide**

The linear guide with ball bearing circulation and scrapers provides high precision and rigidity






▶ **Dampened end position**

By using PowerStop shock absorbers, you can gently move up to the end positions, increasing the process reliability and durability of your application

▶ **Flat structure**

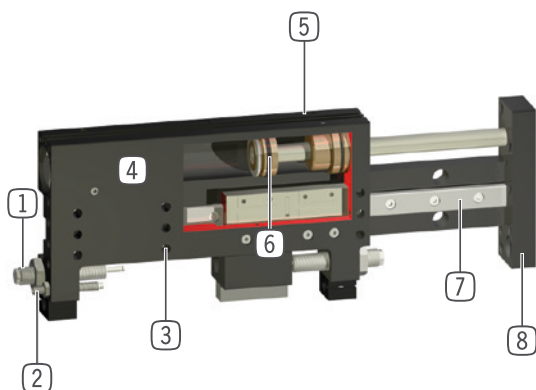
Reduces the interference contours for your application

▶ SERIES CHARACTERISTICS

		Installation size
		LSFXX-XX
	10 million maintenance-free cycles (max.)	●
	Inductive sensor	●
	Magnetic field sensor	●
	Powerstop end position damping	●
	IP40	●



► BENEFITS IN DETAIL



- ① **Patented, hydraulic shock absorber**
 - adjustable end position damping
 - included in scope of delivery
- ② **Stroke limiting screw**
- ③ **Mounting and positioning**
 - possible from several sides
- ④ **Robust, lightweight and extremely flat structure housing**
 - Hard-coated aluminum alloy
- ⑤ **Mounting groove for magnetic field sensor**
 - integrated, space saving position sensing
- ⑥ **Drive**
 - double-acting pneumatic cylinder
- ⑦ **Linear guide with recirculating ball and wiper**
 - dual linear guidance for high forces and moments capacity
- ⑧ **Intake flange**
 - simple application connection

► TECHNICAL DATA

Installation size	Stroke [mm]	Pressure force max. [N]	Retraction force [N]	Weight [kg]	IP class
LSF25	50 - 100	265	220	1 - 1,3	IP40

► FURTHER INFORMATION IS AVAILABLE ONLINE



All information just a click away at: www.zimmer-group.com. Find data, illustrations, 3D models and operating instructions for your installation size using the order number for your desired product. Quick, clear and always up-to-date.